



匯統國際股份有限公司  
Huey Tung International Co., Ltd.

# 產品規格書 Specification

[ Model : HT-NO3434U4 / 2013.2.21 version ]



**Cara Audio Corporation**

No.69, Lane 762, Dingzhong Road, Sanmin District, Kaohsiung City, Taiwan, ROC.


Tel: 886-7-310 5786 / Fax: 886-7-310 0783

E-mail: [carawang@hueytung.com.tw](mailto:carawang@hueytung.com.tw) / <http://www.hueytung.com.tw>

# 揚聲器製品規格書

## SPEAKER SPECIFICATION

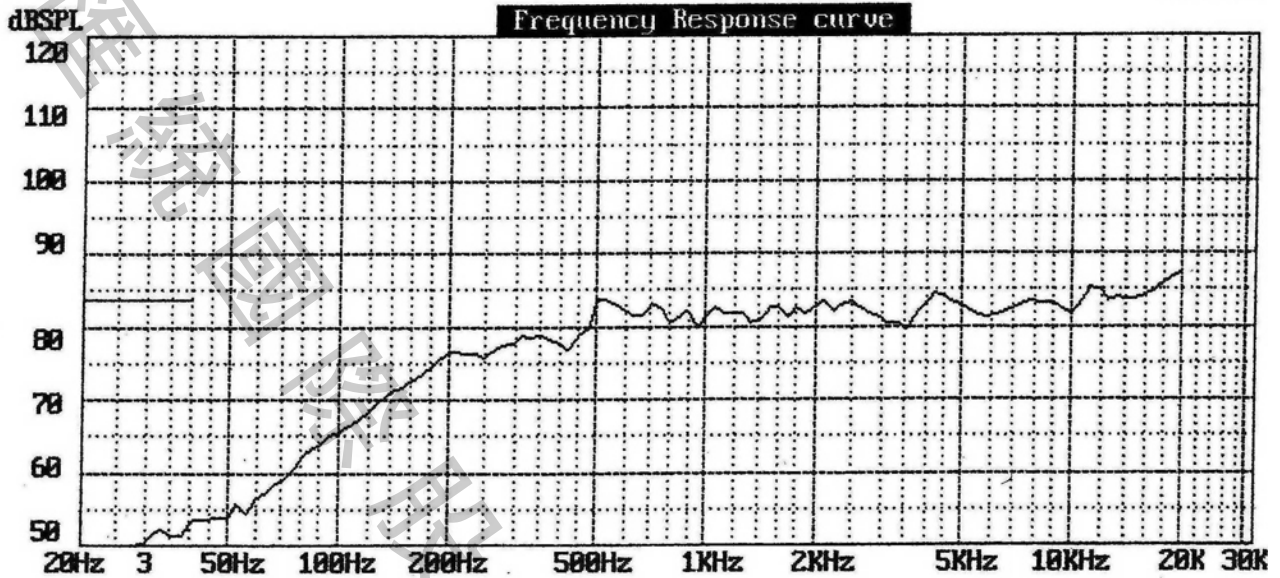
**型號 Model Number: HT-NO3434U4**

項目 Items		規格 Specification			
1	公称阻抗 Nominal Impedance	4Ω±15% at 1000 Hz 1.0v			
2	最低共振周波数 Lowest Resonance Frequency	220 Hz±20%Hz (入力 0.8V の条件下)			
3	实效周波数带域 Effective Frequency Range	F0~20KHz -10dB			
4	出力音压 Output Sound Pressure Level	81dB±3dB 1W/0.5M at (600,800,1000,1200)Hz AVE			
5	入力 Input	定格入力 Rated input 2 W	最大入力 Maximum input 3 W		
6	磁束密度 Flux Density	-----±10% GAUSS			
7	异常音试验电压 Buzz & Rattle Test	Must be normal at sine wave 2.0 V			
8	动作试验电压 Operation Test	Must be normal at program source 2.83 V			
9	极性 Polarity	/			
10	磁石尺寸/重量 Magnet Dimension/Weigh	Magnet:18.5*4 N35 Sub Magnet:	8G		
11	连续负荷试验 Life Test	IEC-268-5 2W 96 hours			
12	耐热试验 Heat Resistance	70°C±2°C 30%-35%RH 8Hours and then room temperature 1 hours			
13	耐湿试验 Humidity Resistance	40°C±2°C 90%-95%RH 8Hours and then room temperature 1 hours			
14	耐寒试验 Cold Resistance	-25°C±2°C 24Hours and then room temperature 1 hours			
15	落下试验 Drop Test	1M 75°±2°			
16	绝缘耐压试验 Insulation Resistance	Or more 1MΩ 以上			
17	周波数特性 Frequency Response Curve	参照附图 On Other Drawing			
18	失真率 Distortion	/			
19	各部 材质	Cone Paper	PU 邊		
		Voice Coil	13 芯 * 4Ω PSV 同向 180°		
		Cap	/		
20	总重量 Total Weight	/			
		Size : 19 芯 試作發行: 2008.10.23	Approve: Arthur	Check: John	Design: LIU

音波曲線 Frequency: HT-NO3434U4

Firm: HUEY TUNG ELECTRONIC Model: HT-NO3434U4 DATE: 07-09-2009 TIME: 15:15:37  
 1000Hz Sens. = 81.2dB SPL Pass F.R.: Pass DCR: 5.53R Pass  
 Average SPL: 81.5dB SPL Pass (600; 800; 1000; 1200Hz) Sweep Speed: 1/12 Oct

B 6.17

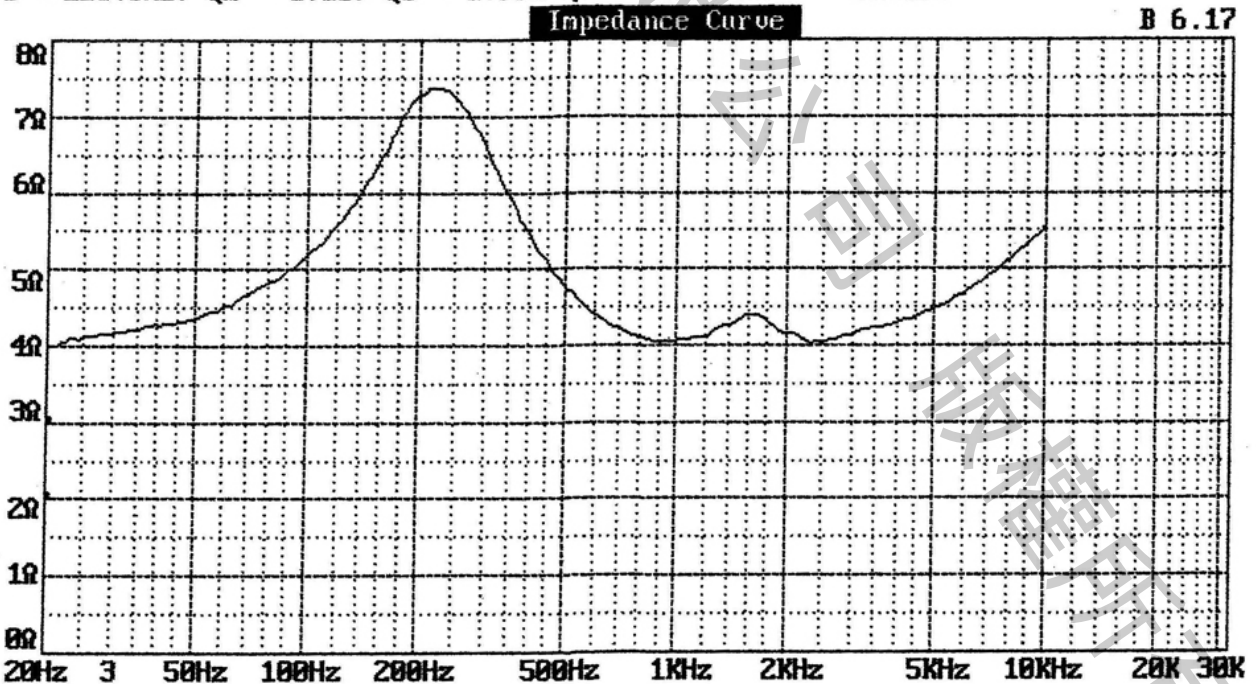


Voltage applied for F.R. = 2.830V Start F. = 20Hz Stop F. = 20000Hz  
 Measuring Distance = 0.50M

Mfg.: 40HM 2W

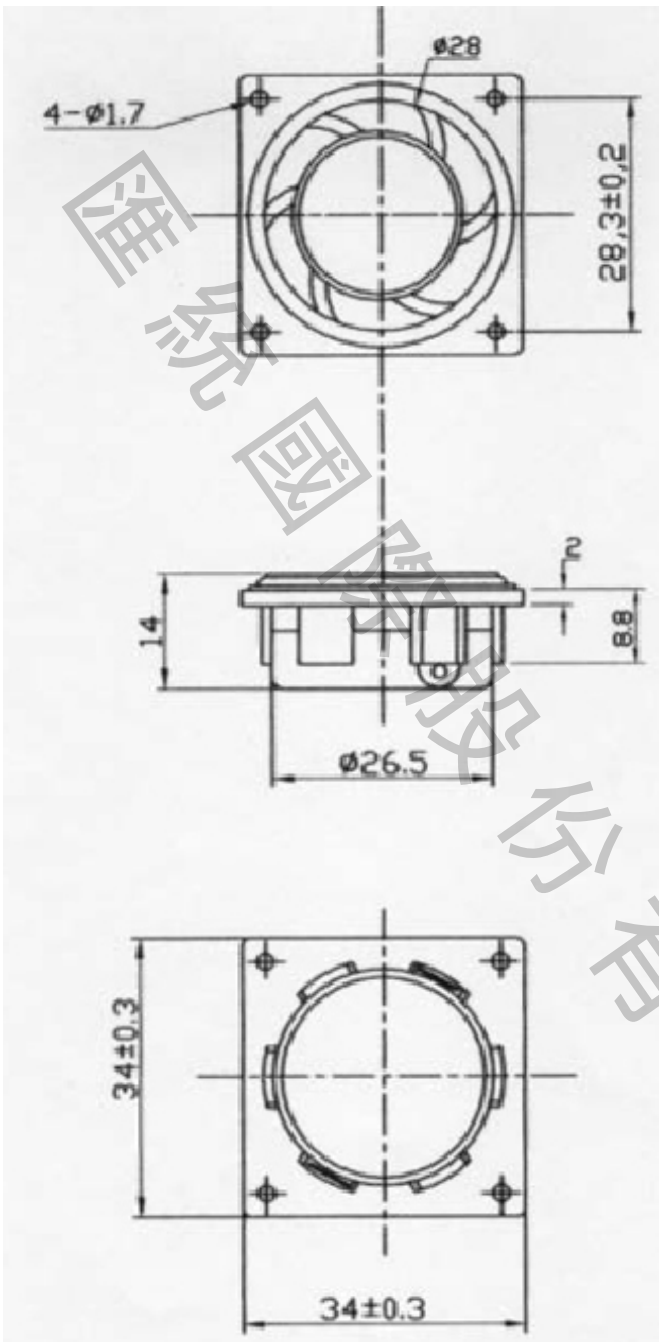
Firm: HUEY TUNG ELECTRONIC Model: HT-NO3434U4 DATE: 07-09-2009 TIME: 14:44:58  
 ACV = 1.000V ACZ = 4.05 R @ 1000Hz.  
 Start Freq. = 20Hz Stop Freq. = 10000Hz Sweep Speed: 1/24 Oct.  
 Fo = 228.6Hz; Qm = 1.11; Qe = 1.35; Qt = 0.61; DCR = 3.98R.

B 6.17



Mfg.: 40HM 2W





Tolerance:  $\pm 0.5$

Unit: mm